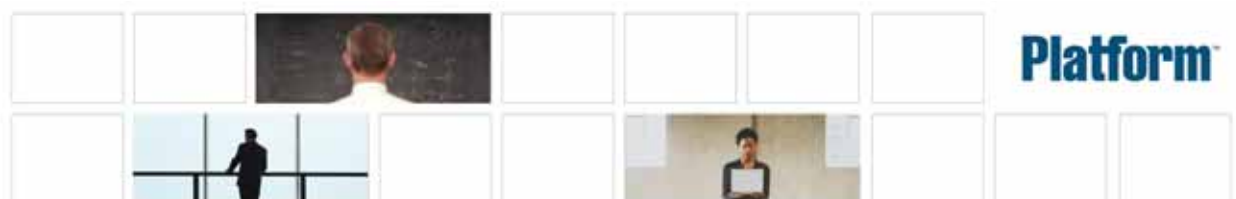

Upgrading Platform™ LSF™ on UNIX and Linux

Version 7 Update 2
Release date: November 2007
Last modified: November 29 2007
Comments to: doc@platform.com
Support: support@platform.com

Contents

- ◆ [Upgrade your LSF Cluster](#)
- ◆ [Compatibility Notes](#)



Upgrade your LSF Cluster

IMPORTANT: Do not use these upgrade steps to update an existing LSF Version 7 cluster to LSF Version 7 Update 2. Follow the steps in the document “*Migrating LSF Version 7 to Update 2 on UNIX and Linux*” to update your existing LSF Version 7 cluster to LSF Version 7 Update 2.

Complete the following steps to upgrade to LSF Version 7 from an earlier version of LSF on UNIX and Linux.

- ◆ Get ready to upgrade
- ◆ Download LSF distribution tar files
- ◆ Use `lsinstall` to upgrade LSF
- ◆ Use `hostsetup` to set up LSF hosts
- ◆ Restart your cluster

Get ready to upgrade

-
- 1 Inactivate all queues to make sure that no new jobs will be dispatched during the upgrade. After upgrading, remember to activate the queues again so pending jobs can be dispatched.
 - ❖ To inactivate all LSF queues, use the following command:
`badmin qinact all`
 - ❖ To reactivate all LSF queues after upgrading, use the following command:
`badmin qact all`
 - 2 Back up your existing `LSF_CONFDIR`, `LSB_CONFDIR`, and `LSB_SHAREDIR` according to the procedures at your site.
 - 3 Get an LSF Version 7 license and create a license file (`license.dat`).
-

Download LSF distribution tar files

-
- 1 Log on to the LSF file server host as `root`.
 - 2 FTP to `ftp.platform.com` and get the following files from the `/distrib/7.0/platform_LSF_lsf7_update2/` directory on `ftp.platform.com`:
 - ❖ LSF installation script tar file `lsf7Update2_lsinstall.tar.Z`
 - ❖ LSF distribution tar files for all host types you needDownload and read LSF Version 7 Release Notes for detailed steps for downloading LSF distribution tar files.
 - 3 Put the distribution tar files in the same directory that contains the `lsf7Update2_lsinstall.tar.Z` file.
 - 4 Uncompress and extract `lsf7Update2_lsinstall.tar.Z`:
`# zcat lsf7Update2_lsinstall.tar.Z | tar xvf -`

IMPORTANT: DO NOT extract the distribution tar files.

Use lsfinstall to upgrade LSF

- 1 Change to `lsf7Update2_lsfinstall/`.
- 2 Read `lsf7Update2_lsfinstall/install.config` and decide which installation variables you need to set.
- 3 Edit `lsf7Update2_lsfinstall/install.config` to set the installation variables you need.
- 4 Follow the instructions in `lsf_unix_install.pdf` to run:
`./lsfinstall -f install.config`

IMPORTANT: You must run `lsfinstall` as root.

`lsfinstall` backs up the following configuration files for your current installation in `LSF_CONFDIR`:

- ◆ `cshrc.lsf`
- ◆ `lsf.cluster.cluster_name`
- ◆ `lsf.conf`
- ◆ `lsf.shared`
- ◆ `profile.lsf`

Use hostsetup to set up LSF hosts

- 1 Follow the steps in `lsf7Update2_lsfinstall/lsf_getting_started.html` to set up your LSF hosts (hostsetup).
 - a Log on to each LSF server host as root. Start with the LSF master host.
 - b Run `hostsetup` on each LSF server host. For example:

```
cd /usr/share/lsf/7.0/install
./hostsetup --top="/usr/share/lsf/"
```

For complete `hostsetup` usage, enter `hostsetup -h`.
 - 2 Set your LSF environment:
 - ❖ For `csh` or `tcsh`:
`source LSF_TOP/conf/cshrc.lsf`
 - ❖ For `sh`, `ksh`, or `bash`:
`. LSF_TOP/conf/profile.lsf`
 - 3 Follow the steps in `lsf7Update2_lsfinstall/lsf_quick_admin.html` to update your license.
-

Restart your cluster

- 1 Use the following commands to shut down the old LSF daemons:

```
badadmin hshutdown all  
lsadmin resshutdown all  
lsadmin limshutdown all
```
 - 2 Use the following commands to restart LSF using the new Version 7 daemons:

```
lsadmin limstartup all  
lsadmin resstartup all  
badadmin hstartup all
```
 - 3 Follow the steps in `lsf7Update2_lsfinstall/lsf_quick_admin.html` to verify that your upgraded cluster is operating correctly.
 - 4 Use the following command to reactivate all LSF queues after upgrading:

```
badadmin qact all
```
 - 5 Have users run one of the LSF shell environment files to switch their LSF environment to the new cluster.

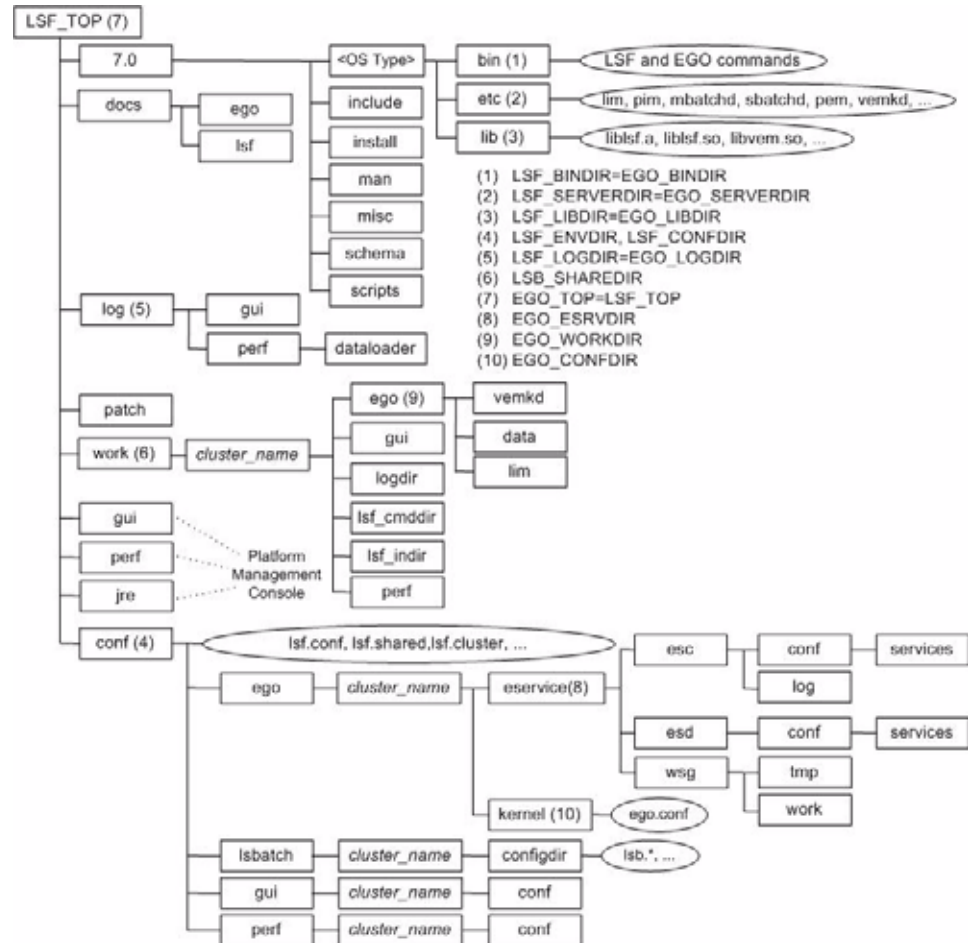
Follow the steps in `lsf7Update2_lsfinstall/lsf_quick_admin.html` for using `LSF_CONFDIR/cshrc.lsf` and `LSF_CONFDIR/profile.lsf` to set up the LSF environment for users.

After the new cluster is up and running, users can start submitting jobs to it.
-

Compatibility Notes

When you upgrade, be aware of the following changes in LSF 7.

New directory structure



Installation of the Platform Management Console is optional.

Get Technical Support

Contact Platform

Contact Platform Computing or your LSF vendor for technical support. Use one of the following to contact Platform technical support:

Email support@platform.com

World Wide Web www.platform.com

Mail Platform Support
Platform Computing Inc.
3760 14th Avenue
Markham, Ontario
Canada L3R 3T7

When contacting Platform, please include the full name of your company.

See the Platform Web site at www.platform.com/Company/Contact.Us.htm for other contact information.

Get patch updates and other notifications

To get periodic patch update information, critical bug notification, and general support notification from Platform Support, contact supportnotice-request@platform.com with the subject line containing the word "subscribe".

To get security related issue notification from Platform Support, contact securenotice-request@platform.com with the subject line containing the word "subscribe".

We'd like to hear from you

If you find an error in any Platform documentation, or you have a suggestion for improving it, please let us know:

Email doc@platform.com

Mail Information Development
Platform Computing Inc.
3760 14th Avenue
Markham, Ontario
Canada L3R 3T7

Be sure to tell us:

- ◆ The title of the manual you are commenting on
- ◆ The version of the product you are using
- ◆ The format of the manual (HTML or PDF)

Copyright

© 1994-2007, Platform Computing Inc.

Although the information in this document has been carefully reviewed, Platform Computing Inc. (“Platform”) does not warrant it to be free of errors or omissions. Platform reserves the right to make corrections, updates, revisions or changes to the information in this document.

UNLESS OTHERWISE EXPRESSLY STATED BY PLATFORM, THE PROGRAM DESCRIBED IN THIS DOCUMENT IS PROVIDED “AS IS” AND WITHOUT WARRANTY OF ANY KIND, EITHER EXPRESSED OR IMPLIED, INCLUDING, BUT NOT LIMITED TO, THE IMPLIED WARRANTIES OF MERCHANTABILITY AND FITNESS FOR A PARTICULAR PURPOSE. IN NO EVENT WILL PLATFORM COMPUTING BE LIABLE TO ANYONE FOR SPECIAL, COLLATERAL, INCIDENTAL, OR CONSEQUENTIAL DAMAGES, INCLUDING WITHOUT LIMITATION ANY LOST PROFITS, DATA, OR SAVINGS, ARISING OUT OF THE USE OF OR INABILITY TO USE THIS PROGRAM.

Document redistribution policy

This document is protected by copyright and you may not redistribute or translate it into another language, in part or in whole.

Internal redistribution

You may only redistribute this document internally within your organization (for example, on an intranet) provided that you continue to check the Platform Web site for updates and update your version of the documentation. You may not make it available to your organization over the Internet.

Trademarks

LSF is a registered trademark of Platform Computing Corporation in the United States and in other jurisdictions.

POWERING HIGH PERFORMANCE, PLATFORM COMPUTING, PLATFORM SYMPHONY, PLATFORM JOBSCHEDULER, and the PLATFORM and PLATFORM LSF logos are trademarks of Platform Computing Corporation in the United States and in other jurisdictions.

UNIX is a registered trademark of The Open Group in the United States and in other jurisdictions.

Linux is the registered trademark of Linus Torvalds in the U.S. and other countries.

Microsoft is either a registered trademark or a trademark of Microsoft Corporation in the United States and/or other countries.

Windows is a registered trademark of Microsoft Corporation in the United States and other countries.

Macrovision, and FLEXlm are registered trademarks or trademarks of Macrovision Corporation in the United States of America and/or other countries.

Oracle is a registered trademark of Oracle Corporation and/or its affiliates.

Intel, Itanium, and Pentium are trademarks or registered trademarks of Intel Corporation or its subsidiaries in the United States and other countries.

Other products or services mentioned in this document are identified by the trademarks or service marks of their respective owners.

Third Party License Agreements

www.platform.com/Company/third.part.license.htm

Third Party Copyright Notices

www.platform.com/Company/Third.Party.Copyright.htm